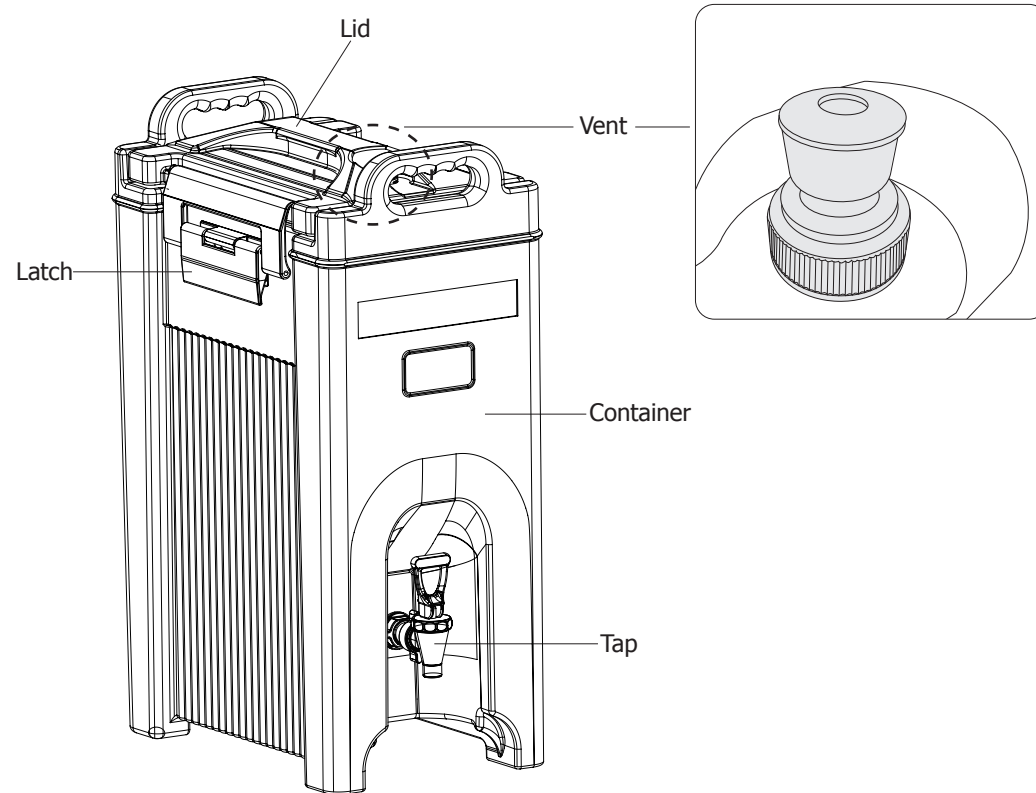


VOGUE

HZ099: Insulated Drink Dispenser

Instructions for use



Installation

1. Remove the unit from the packaging. Make sure that all protective plastic film and coatings are thoroughly removed from all surfaces.
2. Position the unit on a flat, stable surface and ensure the surface can support its weight when full.

Using the Dispenser



Caution: DO NOT overfill or liquid may overflow or splash out of the vent when the lid is secured!

Holding hot or cold temperatures for up to 4-7 hours.

1. Before use, wash and rinse the unit thoroughly.
2. Pre-heating the interior with hot water or pre-chilling entire unit will improve temperature retention.
3. Unlock the latch to lift the lid.
4. Load the container to its maximum capacity. Make sure the gasket is in place. Replace lid and lock in position.
5. Press the tap to release the drink.



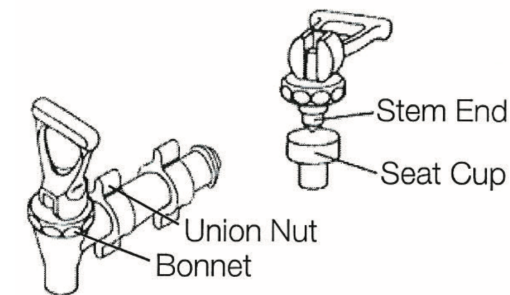
Note: Open the vent if the lid cannot be removed due to the air pressure difference.

- To open, grasp firmly and pull out until a click is heard.
- To close, push in until a click is heard.

Cleaning, Care & Maintenance

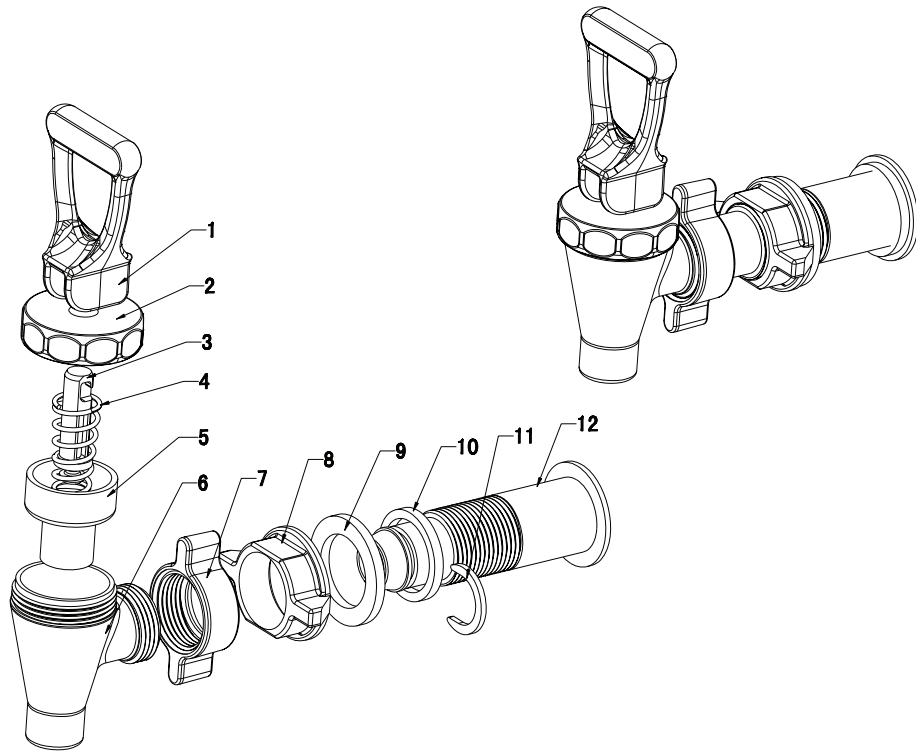
- Clean the unit after every use.
- Use food-grade cleaning agents only!
- Always remove the gasket before running through a dishwasher. Inspect when cleaning and if worn, replace immediately to avoid leaking.
- Air dry whenever possible or wipe thoroughly with a dry, clean, soft cloth to remove all moisture inside and out.

To remove tap assembly for cleaning



1. Unscrew the union nut to remove the tap from the unit.
2. Unscrew the bonnet from the tap body to expose the rubber seat cup and stem end. Pull the seat cup downwards to remove.
3. Clean the parts with a solution of warm water and cleaning agent. Use a brush to clean the inside of the tap and spout.
4. Install back all parts well.

Tap Assembly - Exploded view



No.	Part Name
1	Tap Lever
2	Bonnet
3	Stem End
4	Spring
5	Rubber Seat Cup
6	Tap Body
7	Union Nut
8	Wing Nut
9	Large Rubber Washer
10	Small Rubber Washer
11	Metal C Ring
12	Spout

Compliance • Productconformiteit • Conformité • Konformität • Conformità • Cumplimiento

VOGUE parts have undergone strict product testing in order to comply with regulatory standards and specifications set by international, independent, and federal authorities. VOGUE products have been approved to carry the following symbol:

De onderdelen van VOGUE producten hebben strenge producttesten ondergaan om te voldoen aan wettelijke regels en specificaties die door internationale, onafhankelijke en landelijke overheden worden voorgeschreven. VOGUE producten zijn goedgekeurd en voorzien van het volgende symbool:

Les pièces VOGUE ont été soumises à des tests rigoureux pour pouvoir être déclarées conformes aux normes et spécifications réglementaires définies par les autorités internationales, indépendantes et fédérales. Les produits VOGUE ont été déclarés aptes à porter le symbole suivant :

Alle VOGUE-Produkte werden strengen Tests unterzogen, um die Einhaltung von Normen und Spezifikationen internationaler und nationaler Behörden und unabhängiger Organisationen zu gewährleisten. VOGUE-Produkte dürfen durch folgendes Symbol gekennzeichnet werden:

I componenti VOGUE sono stati sottoposti a un rigoroso collaudo ai fini della conformità agli standard e alle specifiche normative previste dalle autorità internazionali, indipendenti e federali. I prodotti VOGUE sono autorizzati a esporre il seguente simbolo:

Las piezas VOGUE han pasado estrictas pruebas de productos para cumplir las especificaciones y normas reguladoras establecidas por las autoridades internacionales, independientes y federales. Los productos VOGUE han sido autorizados para llevar el símbolo siguiente:



EN		Fourth Way, Avonmouth, Bristol, BS11 8TB United Kingdom
Eire	+44 (0)845 146 2887	Unit 9003, Blarney Business Park, Blarney Co. Cork, Ireland
NL	040 - 2628080	
FR	01 60 34 28 80	
BE-NL	0800-29129	

BE-FR	0800-29229	
DE	0800 - 1860806	
ES	901-100 133	
AU	1300 225 960	15 Badgally Road, Campbelltown, 2560, NSW, Australia